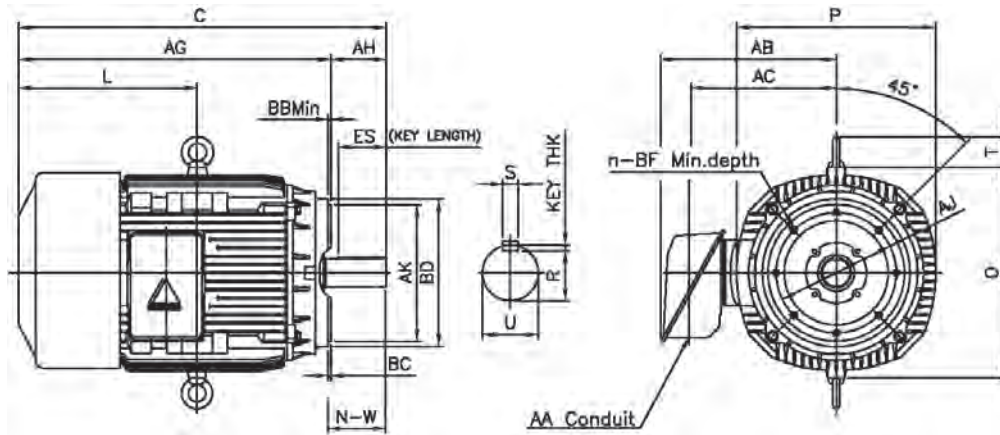


# HYUNDAI CROWN TRITON™ SERIES MOTORS

## PREMIUM EFFICIENCY

TEFC Enclosure ▪ C-Face ▪ Round Body  
Three-Phase ▪ 208-230/460 Volt



ALL DIMENSIONS IN INCHES

Frame	C	P	L	T	S	ES	R	N-W	U	AA	AB	AC	AJ	AK	BD	BB	BC	AH	BF	n
HHI-143TCRD	13.05	7.64	6.05	1.63	0.188	1.41	0.771	2.25	0.875	0.75	6.73	5.21	5.875	4.50	6.50	0.16	0.12	2.12	3/8-16	4
HHI-145TCRD	13.05	7.64	6.05	1.63	0.188	1.41	0.771	2.25	0.875	0.75	6.73	5.21	5.875	4.50	6.50	0.16	0.12	2.12	3/8-16	4
HHI-182TCRD	15.52	9.64	7.78	1.63	0.250	1.78	0.986	2.75	1.125	0.75	7.47	6.23	7.250	8.50	8.70	0.25	0.12	2.62	1/2-13	4
HHI-184TCRD	16.55	9.64	8.29	1.63	0.250	1.78	0.986	2.75	1.125	0.75	7.47	6.23	7.250	8.50	8.70	0.25	0.12	2.62	1/2-13	4
HHI-213TCRD	18.86	11.26	9.22	1.63	0.312	2.41	1.201	3.38	1.375	1.00	8.23	7.34	7.250	8.50	9.00	0.25	0.25	3.12	1/2-13	4
HHI-215TCRD	20.36	11.26	9.97	1.63	0.312	2.41	1.201	3.38	1.375	1.00	8.23	7.34	7.250	8.50	9.00	0.25	0.25	3.12	1/2-13	4
HHI-254TCRD	23.13	12.76	10.75	2.01	0.375	2.91	1.416	4.00	1.625	1.25	11.88	9.08	7.250	8.50	9.68	0.25	0.25	3.75	1/2-13	4
HHI-256TCRD	24.86	12.76	11.61	2.01	0.375	2.91	1.416	4.00	1.625	1.25	11.88	9.08	7.250	8.50	9.68	0.25	0.25	3.75	1/2-13	4
HHI-284TCRD	26.21	14.19	12.09	2.01	0.500	3.28	1.591	4.62	1.875	1.50	12.43	9.64	9.000	10.50	10.90	0.25	0.25	4.38	1/2-13	4
HHI-286TCRD	27.71	14.19	12.84	2.01	0.500	3.28	1.591	4.62	1.875	1.50	12.43	9.64	9.000	10.50	10.90	0.25	0.25	4.38	1/2-13	4
HHI-324TCRD	31.07	15.84	14.57	2.41	0.500	3.91	1.845	5.25	2.125	2.00	15.20	11.21	11.000	12.50	13.27	0.25	0.25	5.00	3/8-11	4

Dimensions shown in this catalog are for general use only.  
For an exact drawing on a specific rating, please contact our sales office.

